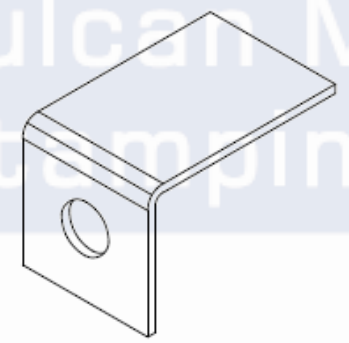
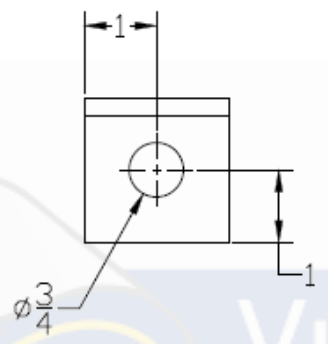
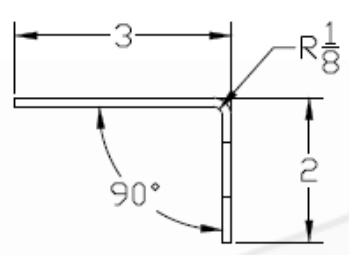


LETTER	DESCRIPTION	DATE	
---	-----	---/--/---	----



Material: 0.125" Galvanized Steel

VULCAN INC. VULCAN METAL STAMPINGS			
DESCRIPTION: 3" Galv. Bracket			
DRAW BY: JPDR	DATE: 01/16	CHECKED:	DATE:
THIRD ANGLE PROJECTION: 	UNLESS OTHERWISE SPECIFIED TOLERANCES ARE: DECIMAL FRACTIONAL ANGULAR X ±0.005 ±1/64 32° XX ±0.002 ±1/64 32° XXX ±0.001 ±1/64 32° XXXX ±0.0005 ±1/64 32°		
UNITS: <input checked="" type="checkbox"/> ENGLISH <input type="checkbox"/> METRIC	PART NUMBER: Galv Bracket		
SCALE: 1/1	SHEET: 1/1	TOOL NO.: Galv-Bckt_	