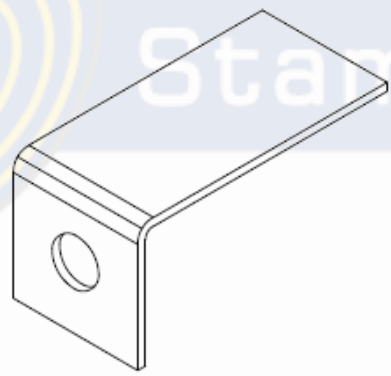
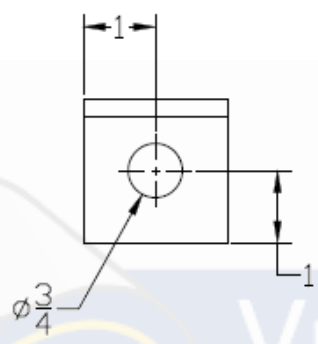
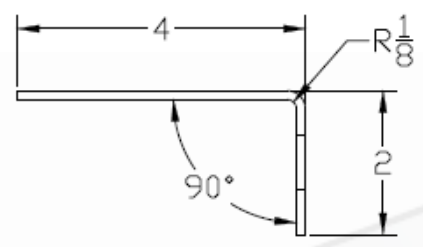


LETTER	DESCRIPTION	DATE
---	-----	--/--/--



Material: 0.125" Galvanized Steel

<b>VULCAN INC.</b> <b>VULCAN METAL STAMPINGS</b>			
DESCRIPTION: <b>CI-12G</b> <b>4" Galv. Bracket</b>			
DRAW BY: JPDR	DATE: 01/16	CHECKED:	DATE:
THIRD ANGLE PROJECTION: 	UNLESS OTHERWISE SPECIFIED TOLERANCES ARE: DECIMAL X ±.010 FRACTIONAL AL/64 XX ±.005 XXX ±.002 XXXX ±.0005		
UNITS: <input checked="" type="checkbox"/> ENGLISH <input type="checkbox"/> METRIC	PART NUMBER: <b>CI-12G</b>		
SCALE: 1:1	SHEET: 1/1	TOOL NO.:	
		Galv-Bckt_	