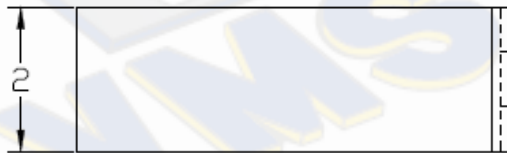
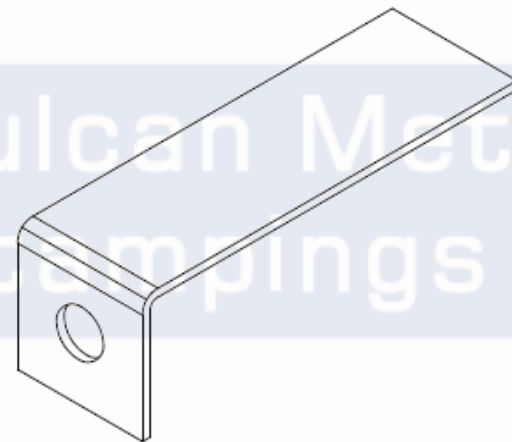
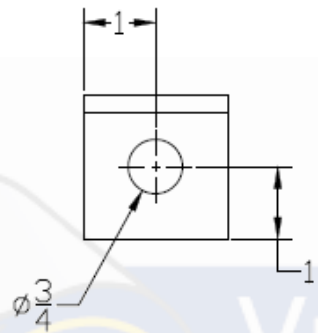
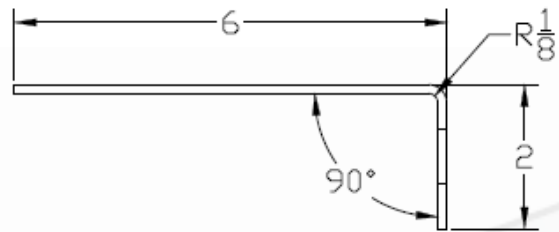


LETTER	DESCRIPTION	DATE
---	-----	---/---/---



Material: 12Ga (0.105" nom)  
G165 Galvanized Steel

<b>VULCAN INC.</b> <b>VULCAN METAL STAMPINGS</b>			
DESCRIPTION: <i>2" x 6" Gal. Bracket</i> <i>12 ga. G165</i>			
DRAW BY: JPDR	DATE: 07/17	CHECKED:	DATE:
THIRD ANGLE PROJECTION 	UNLESS OTHERWISE SPECIFIED TOLERANCES ARE: DECIMAL X ±.000 XX ±.005 XXX ±.010 XXXX ±.020		
UNITS: <input checked="" type="checkbox"/> ENGLISH <input type="checkbox"/> METRIC	PART NUMBER: 2x6 Galv Bracket		
SCALE: 1:1	SHEET: 1/1	TOOL NO.:	
Galv-Bckt_			