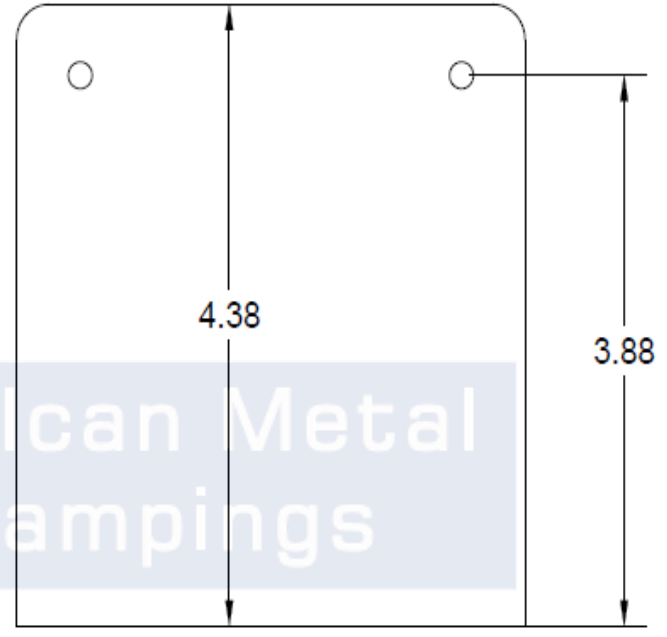
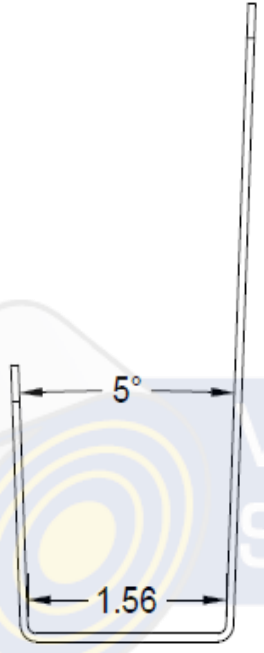
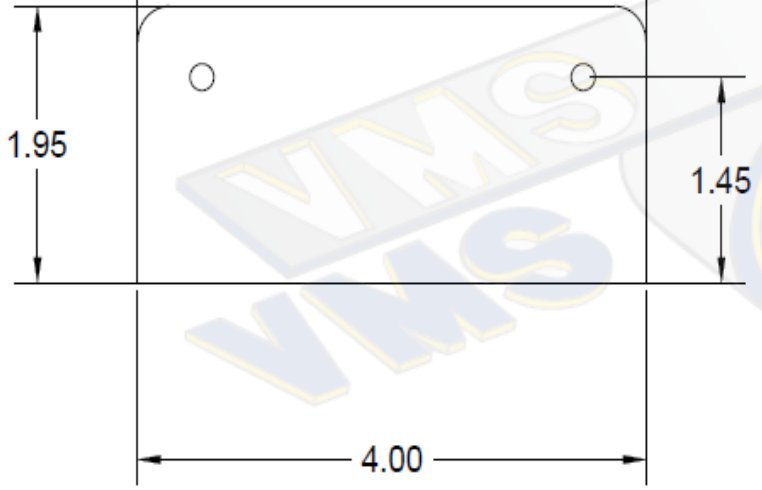
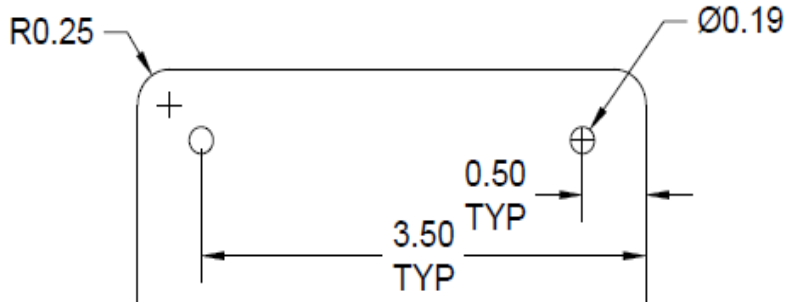


1 2 3 4 5 6 7 8 9 10 11 12 13 14 15 16

LETTER	DESCRIPTION	DATE	INITIALS
--	---	-/-/-	--

A
B
C
D
E
F
G
H

A
B
C
D
E
F
G
H



NOTES
Material: 16 GAUGE (.059) HRPO

Vulcan, Inc.
Vulcan Metal Stampings

DESCRIPTION:
FLORIDA CLIP

DRAWN BY: PWG	DATE: 02/20	CHECKED:	DATE:
THIRD ANGLE PROJECTION: 		UNLESS OTHERWISE SPECIFIED TOLERANCES ARE: DECIMAL: X ±.020 XX ±.010 XXX ±.003 XXXX ±.0005	
UNITS: <input checked="" type="checkbox"/> ENGLISH <input type="checkbox"/> METRIC	SIZE:	USED FOR: HIGH BACK	PART NUMBER:
SCALE: DNS	SHEET: 1/1	TOOL NO.: Tooling Number	

1 2 3 4 5 6 7 8 9 10 11 12 13 14 15 16