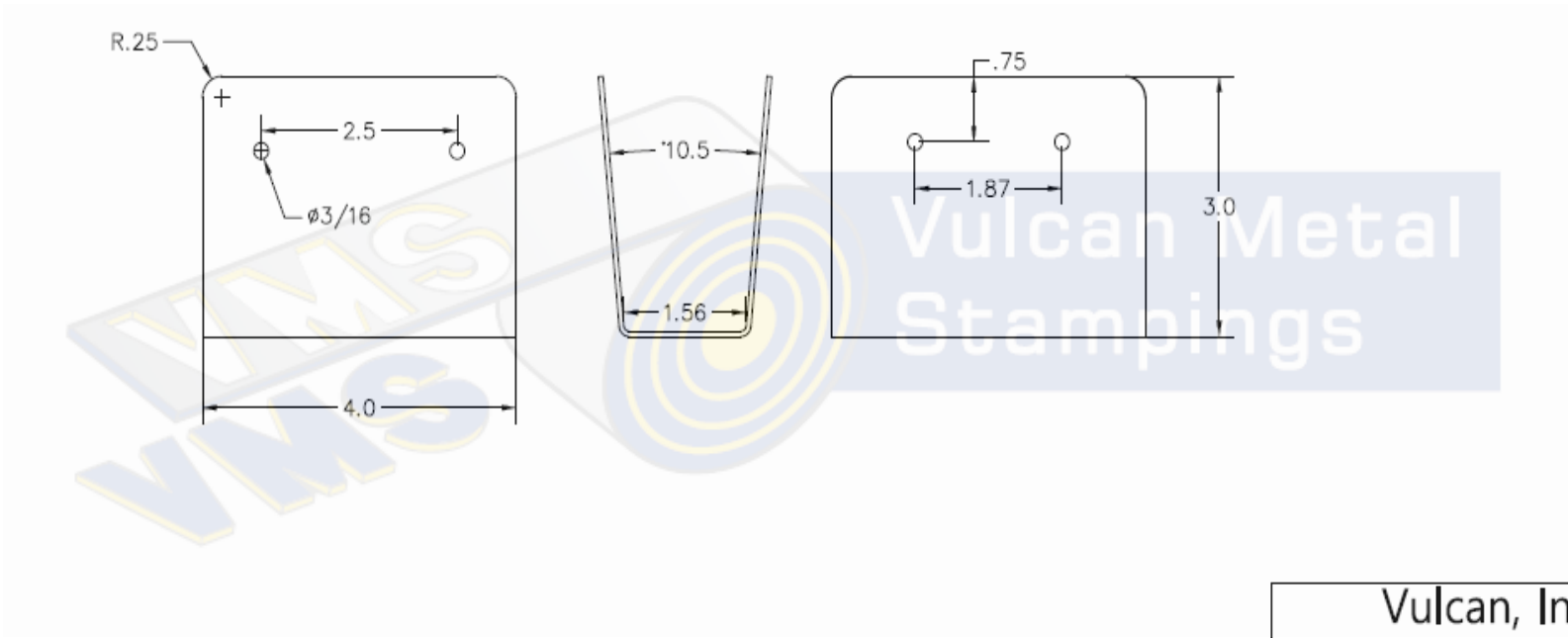


LETTER	DESCRIPTION	DATE	INITIALS
---	----	--/--/--	---



NOTES—  
Material: 16 GAUGE MS

<b>Vulcan, Inc.</b> Vulcan Metal Stampings			
DESCRIPTION: <b>VULCAN CLIP</b>			
DRAW BY: PWG	DATE: 2/2020	CHECKED:	DATE:
THIRD ANGLE PROJECTION: 	UNLESS OTHERWISE SPECIFIED TOLERANCES ARE: DECIMAL: .030 XX ±.010 XXX ±.005 XXXX ±.0005 FRACTIONAL: ±1/64 ANGULAR: ±1° IF 'HOLD' ±0°		
UNITS: <input checked="" type="checkbox"/> ENGLISH <input type="checkbox"/> METRIC	SIZE:	USED FOR:	PART NUMBER: U CLIP
SCALE: DNS	SHEET: 1/1	TOOL NO.: XXXXXXXXXX-XXX	