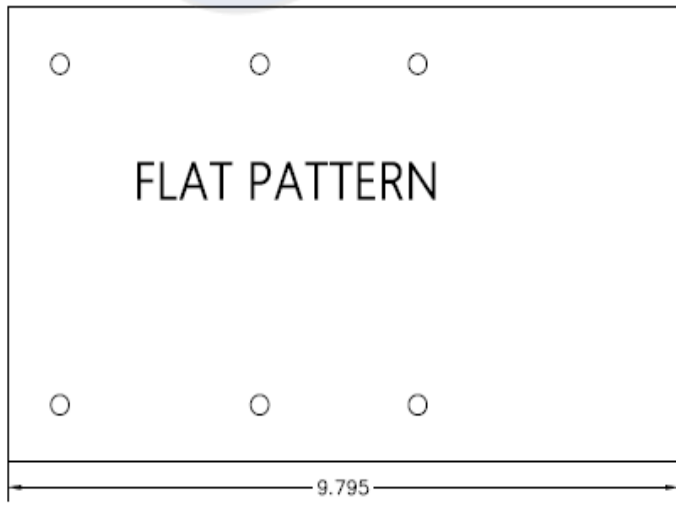
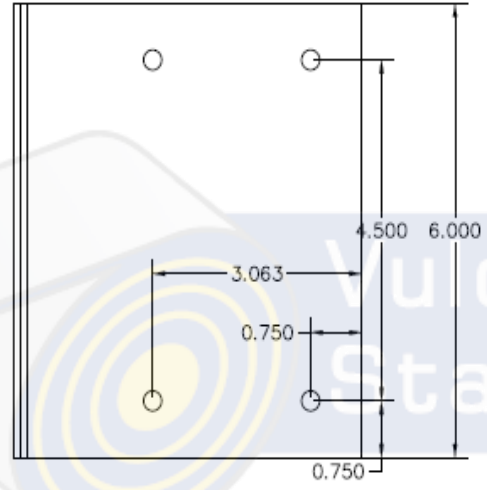
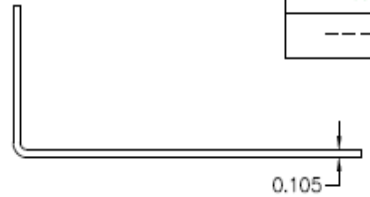


LETTER	DESCRIPTION	DATE	INITIALS
---	-----	--/--/--	---



NOTES
Material: 12 GAGE HRPO

Vulcan, Inc.
Vulcan Metal Stampings

DESCRIPTION:
Vulcan L Bracket

DRAW BY: PWG	DATE: 12/19	CHECKED:	DATE:
THIRD ANGLE PROJECTION:		UNLESS OTHERWISE SPECIFIED TOLERANCES ARE:	
		DECIMAL:	FRACTIONAL:
		X ±.030	±1/64
		XX ±.010	±1'
		XXX ±.005	IF 'HOLD' ±0.5'
		XXXX ±.0005	
UNITS: <input checked="" type="checkbox"/> ENGLISH <input type="checkbox"/> METRIC	SIZE:	USED FOR:	PART NUMBER:
			2"x5"x6" "L" BRKT
SCALE: DNS	SHEET: 1/1	TOOL NO.: PP-L-BRACKET2x5x6	