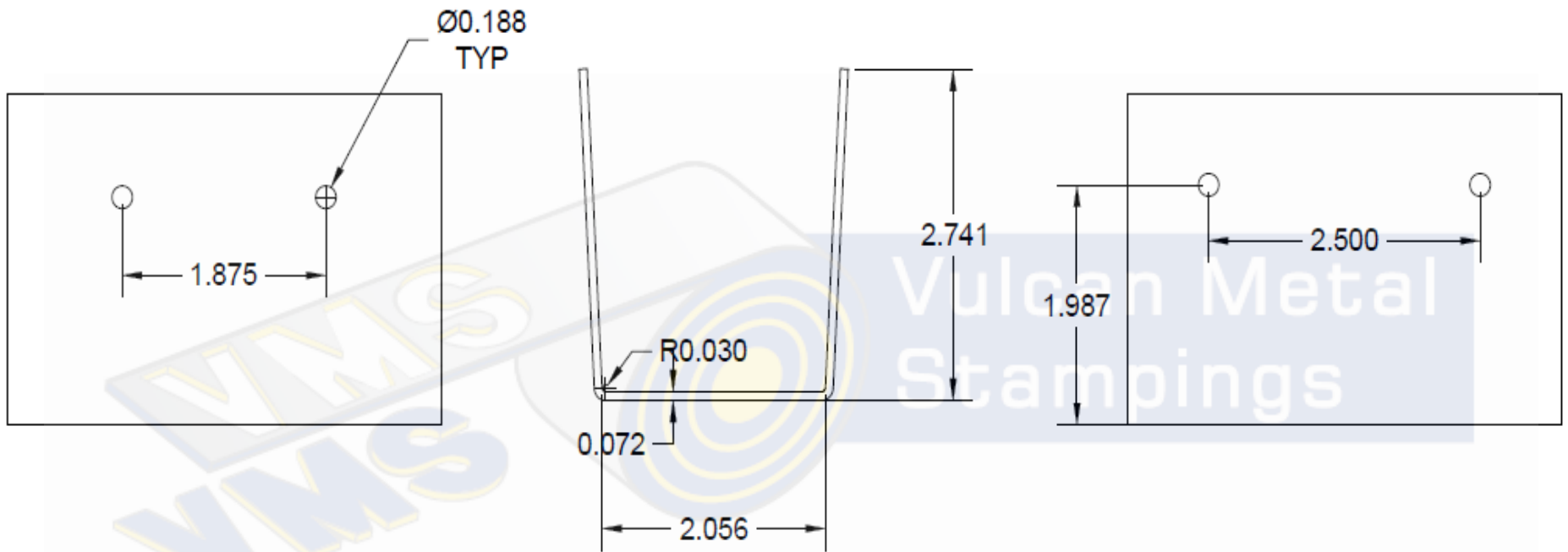


LETTER	DESCRIPTION	DATE	INITIALS
--	---	-/-/-	--



NOTES
 Material: 14 GAGE STEEL
 FOR ROUGH CUT 2" PURLINS

VULCAN METAL STAMPING a Division of Vulcan Inc.			
DESCRIPTION: ROUGH CUT CLIP			
DRAWN BY: PWG	DATE: 09/19	CHECKED:	DATE:
THIRD ANGLE PROJECTION: 	UNLESS OTHERWISE SPECIFIED TOLERANCES ARE: DECIMAL: X ±.030 XX ±.010 XXX ±.005 XXXX ±.0005	FRACTIONAL: ±1/64	ANGULAR: ±1° IF HOLD ±0.5°
UNITS: <input checked="" type="checkbox"/> ENGLISH <input type="checkbox"/> METRIC	SIZE:	USED FOR:	PART NUMBER: PC3-2-RC
SCALE: DNS	SHEET: 1/1	TOOL NO.:	PC3