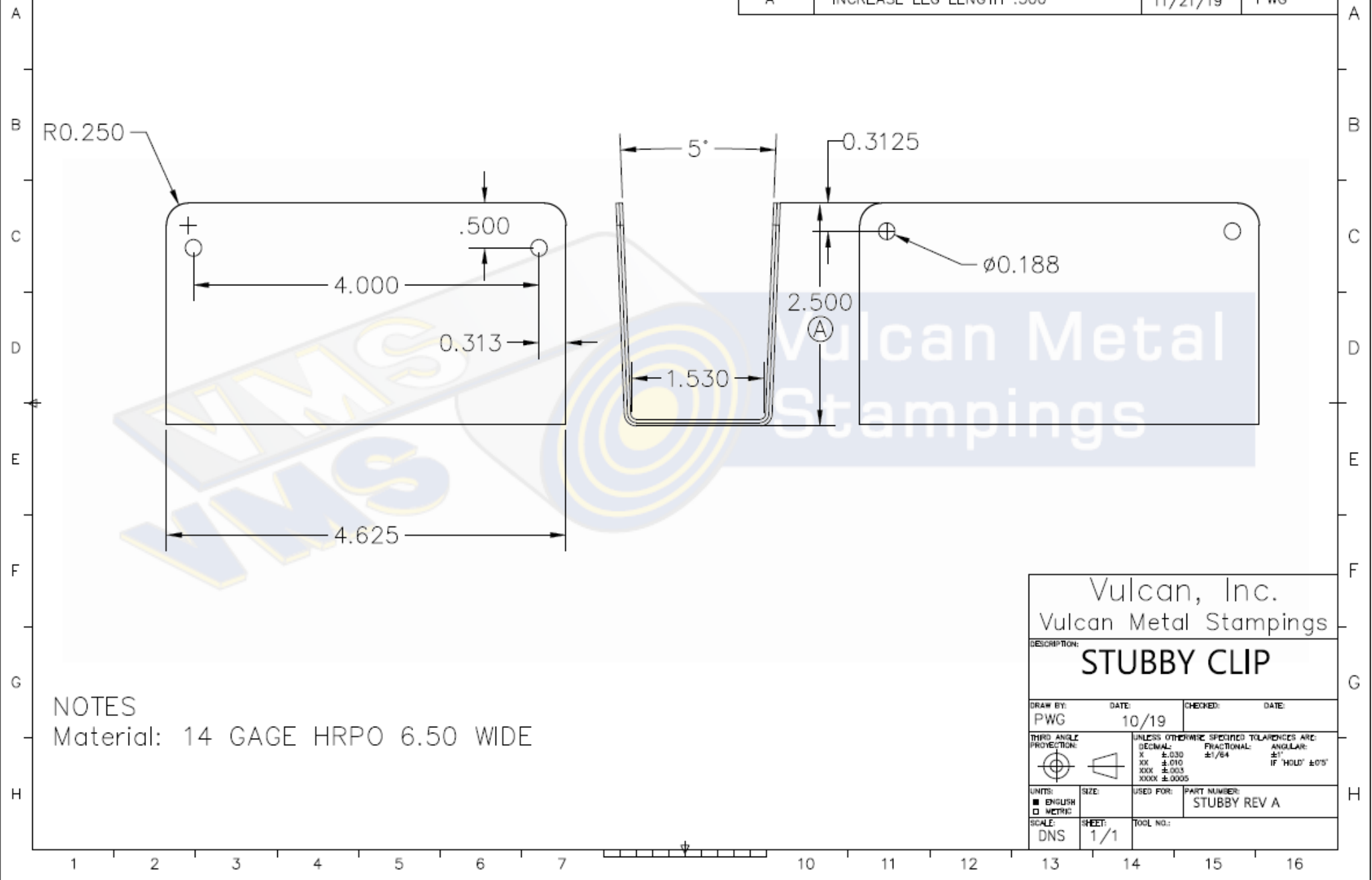


LETTER	DESCRIPTION	DATE	INITIALS
A	INCREASE LEG LENGTH .500	11/21/19	PWG



NOTES
 Material: 14 GAGE HRPO 6.50 WIDE

Vulcan, Inc. Vulcan Metal Stampings			
DESCRIPTION: STUBBY CLIP			
DRAW BY: PWG	DATE: 10/19	CHECKED:	DATE:
THIRD ANGLE PROJECTION: 	UNLESS OTHERWISE SPECIFIED TOLERANCES ARE: DECIMAL: X ±.030 FRACTIONAL: ±1/64 ANGULAR: ±1° IF 'HOLD' ±0°5'		
UNITS: <input checked="" type="checkbox"/> ENGLISH <input type="checkbox"/> METRIC	SIZE:	USED FOR:	PART NUMBER: STUBBY REV A
SCALE: DNS	SHEET: 1/1	TOOL NO.:	