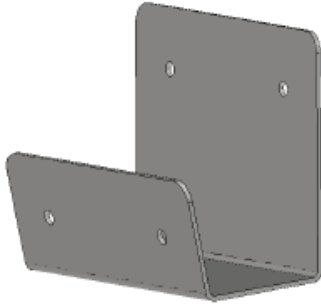


Vulcan Steel Truss Clips

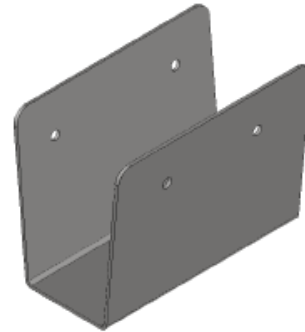


ISO 9001 : 2015 CERTIFIED

Steel Truss J-Clip/Cup (Offset Leg Clip)



Steel Truss U-Clip/Cup (Equal Legs Clip)



Clip/Cup Specifications

- ⇒ J-Clip — 4" x 6 1/8"; Screw Holes are located 3/4" from edges
- ⇒ U-Clip — 4" x 7 5/8"; Screw Holes are located 3/4" from edges and 1 1/16" from edges toward center
- ⇒ Clips are available in 16 gauge and 14 gauge Mild Steel Coil **(Galvanized available upon request)*

Visit us today to see our competitive prices!

Vulcan Metal Stampings

420 East Berry Ave | Foley, AL. 36535

1.888.826.2805

metalstampings.vulcaninc.com | vulcan2@vulcaninc.com

Stamp
Here



Specializing in the manufacture of custom metal stampings and laser cut products.